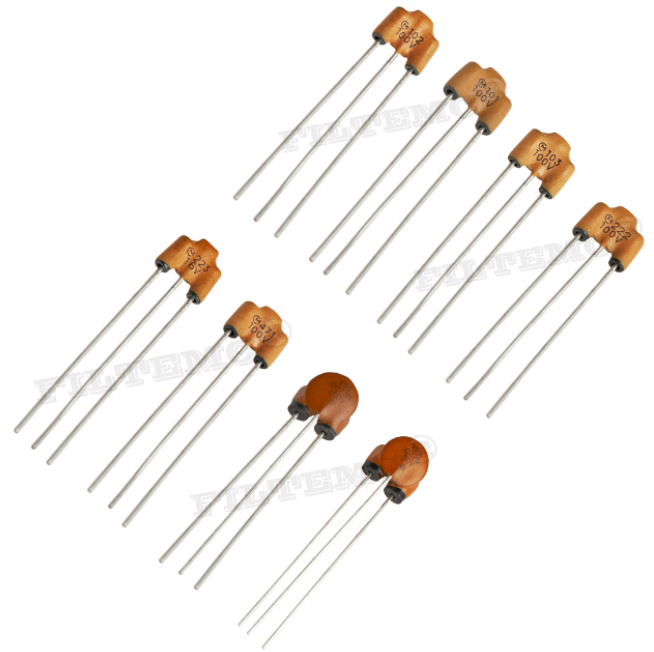


3-Terminal DC Filters

FT6H/FT7H Series

Introduction

- T type low pass filters
- Maximum working current: 6A
- Different specifications and dimensions to meet different requirement



Features and Benefits

- Integrated LCR DC filtering components, three terminals.
- Effectively suppress the interference at broad frequency range from 100KHz to 1GHz.
- Excellent performance, fast and easy installation.
- Effectively prevent malfunction, system halted and other failures of electronic devices.

Typical Applications

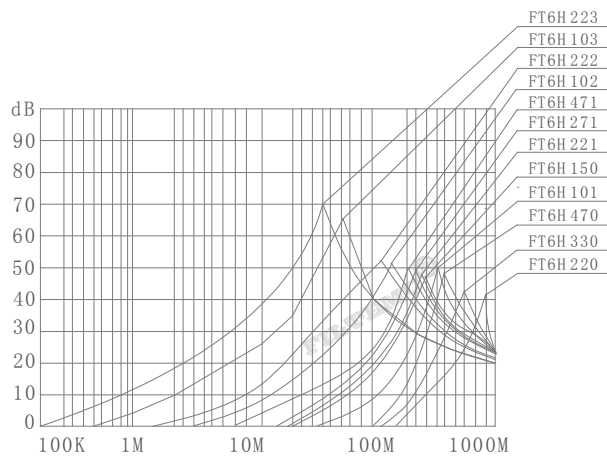
-  Suitable for all kinds of digital circuit, chip control, etc

Tabulates

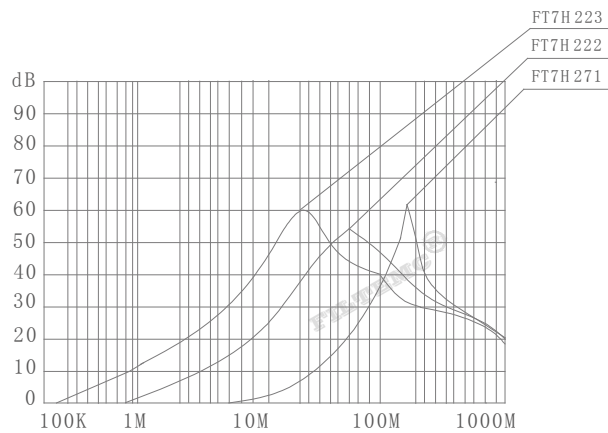
Part No.	Capacity [pF]	Operating Frequency [MDC]	Temperature Characteristics
FT6H220	22PF±20%	100VDC	±10%
FT6H470	47PF±20%	100VDC	±10%
FT6H101	100PF±20%	100VDC	±10%
FT6H221	220PF±20%	100VDC	±10%
FT6H271	270PF±20%	100VDC	±10%
FT6H471	470PF±20%	100VDC	±10%
FT6H102	1000PF±20%	100VDC	±10%
FT6H222	2200PF+80%/-20%	100VDC	+20%/-55%
FT6H103	10000PF±30%	100VDC	+30%/-85%
FT6H223	22000PF+80%/-20%	16VDC	+30%/-80%
FT7H271	270PF±20%	250VDC	±10%

Part No.	Capacity [pF]	Operating Frequency [VDC]	Temperature Characteristics
FT7H222	2200PF±20%	250VDC	±10%
FT7H223	22000PF+50%/-20%	50VDC	±10%

Insertion Loss

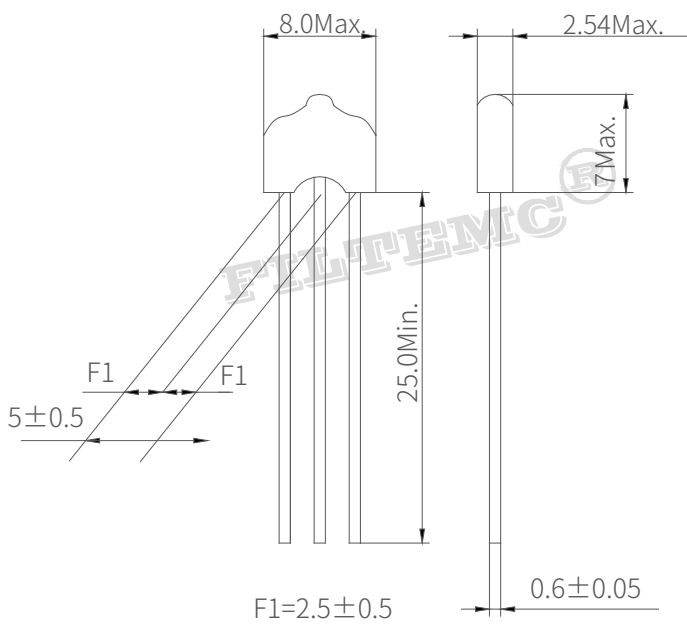


■ FT6H

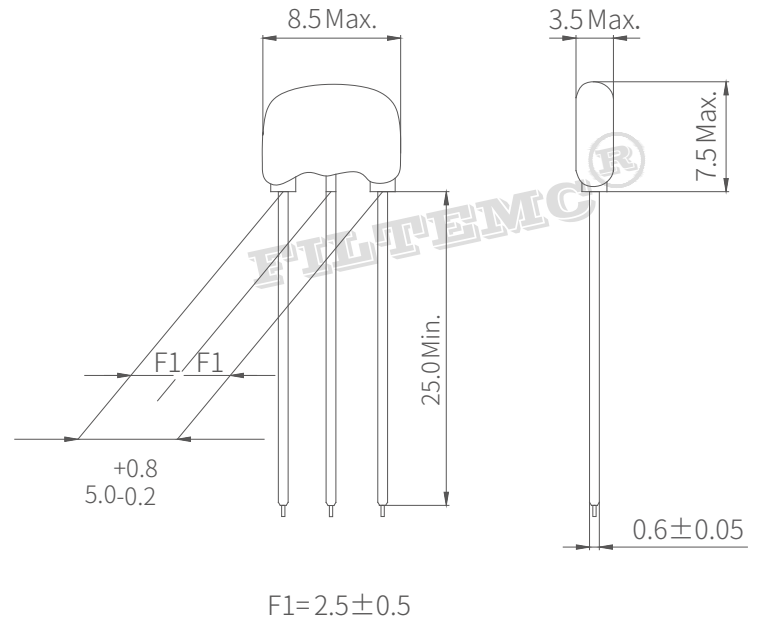


■ FT7H

Outline Drawing and Dimensions (mm)



FT6H Series



FT7H Series

Service and Support

Contact information of Tech. Dept.:

T: 0086-531-58622887

F: 0086-531-58622899

E: filtemc@filtemc.com

A: Building 20, Xinmao Qilu Science and Technology City, No. 1 Zidong Road, Tianqiao District, Jinan 250119, China

Contact information of Sales:

T: 0086-531-58622888

F: 0086-531-58622886

E: filter@filtemc.com

Skype: Lisawong2016@hotmail.com

Web: www.filtemc.com

